



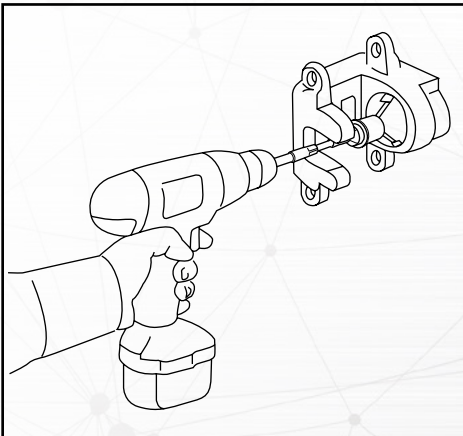
PRODUCT BULLETIN

2 ARM BRAKE CYLINDER HONE

SP63035

DESCRIPTION:

- Range: 19mm to 63mm
- 28mm medium 220 grit fitted stones
- Adjustable tension
- Flexible shaft



BARCODE: 9330514046869
PACKAGING DIMENSIONS: 275 x 70 x 20mm
WEIGHT: 0.11kg

SPTOOLS.COM