

# 2320 MAX PSI

## Electric Pressure Washer

# SP JETWASH //



## ASSEMBLY, CARE AND USE INSTRUCTIONS

### Model SP160RLW

READ CAREFULLY

**IMPORTANT: RETAIN THESE INSTRUCTIONS  
AND ATTACH RECEIPT TO MANUAL FOR FUTURE  
REFERENCE**

---

### Questions, problems, missing parts?

Before returning to your retailer, contact our  
customer service department,  
8:30 am - 5:00 pm, Monday - Friday.  
[service@austechindustries.com.au](mailto:service@austechindustries.com.au)

## TABLE OF CONTENTS

Product Specifications.....	2
Package Contents .....	3
Hardware Contents .....	3
Safety Information.....	4
Assembly Instructions.....	6
Operating Instructions .....	11
Care and Maintenance .....	14
Troubleshooting.....	15
Limited Warranty .....	16

## INTENDED APPLICATION

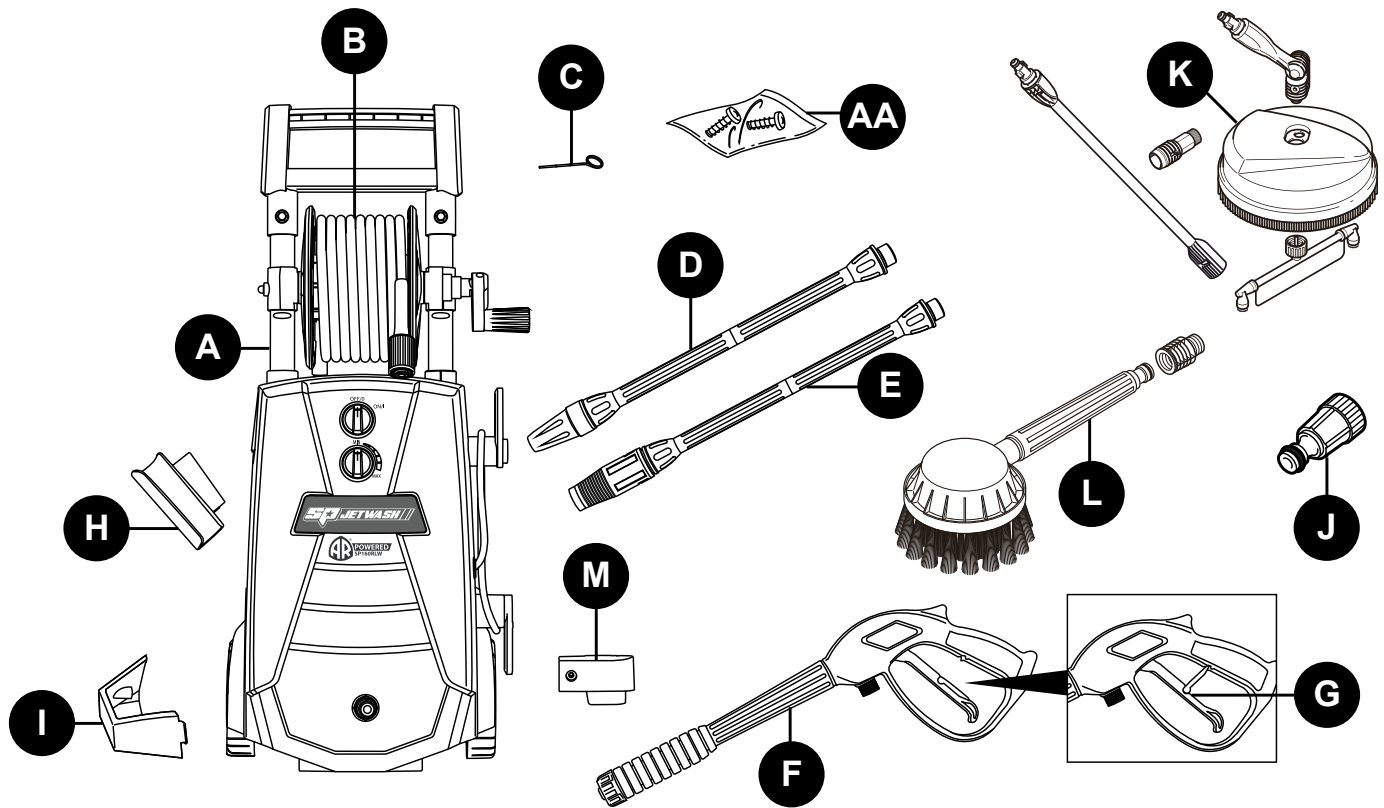
This pressure washer is intended for:  
DOMESTIC CLEANING APPLICATIONS



## PRODUCT SPECIFICATIONS

SPECIFICATIONS						
Model	Maximum PSI (lbs/sq. in.)	Max LPM (Litres/per min)	Cold Water	Volts	Watts	Weight (Kg)
SP160RLW	2320	7.3	✓	240	2200	14.1

## PACKAGE CONTENTS



PART	DESCRIPTION	QUANTITY
A	Pressure Washer Unit	1
B	High Pressure Hose	1
C	Nozzle Cleaning Wire	1
D	Turbo Nozzle Lance	1
E	Variable Spray Nozzle Lance	1
F	Spray Gun	1
G	Spray Gun Trigger Lock	1

PART	DESCRIPTION	QUANTITY
H	Spray Gun Holster	1
I	Nozzle Tray	1
J	Transparent Water Filter	1
K	Patio Cleaner	1
L	Rotary Brush	1
M	Stabiliser Foot	1
AA	Screws	2

## HARDWARE CONTENTS

**AA**



**Note:** Screw is located in package with manual

Screw  
Qty. 1

## SAFETY INFORMATION

Please read and understand this entire manual before attempting to assemble, operate, or install the product.

This manual contains information that relates to PROTECTING PERSONAL SAFETY and PREVENTING EQUIPMENT PROBLEMS. It is very important to read this manual carefully and understand it thoroughly before using the product. The symbols listed below are used to indicate this information.



### DANGER

Potential hazard that **will result in serious injury or loss of life.**



### WARNING

Hazard that **could result in serious injury or loss of life.**



### CAUTION

Potential hazard that **may result in moderate injury or damage to equipment.**

**Note:** The word “Note” is used to inform the reader of something the operator needs to know about the tool.



### WARNING

To reduce the risk of injury, the user must read and understand the instructions before using this product.

1. Warning – When using this product basic, precautions should always be followed, including the following
2. Read all the instructions before using the product
3. Know how to stop the product and bleed pressures quickly. Be thoroughly familiar with the controls.
4. Keep operating area clear of persons
5. Do not overreach or stand on unstable support. Keep good footing and balance at all times.
6. Follow the maintenance instructions as specified in the manual
7. To avoid personal injury and/or damage to property and to maximize your pressure washing experience, carefully follow all of the safety tips, instructions, warnings and safeguards and become familiar with all of the controls.
8. This pressure washer conforms to CSA and other safety and consumer standards. **DO NOT** modify or rebuild any part of your power washer.
9. **DO NOT** use your pressure washer when you are under the influence of alcohol or drugs. Use this power tool carefully and only when you are alert.
10. Watch your balance and footing while using your pressure washer. Surfaces become slippery when wet and are extra slippery when using a detergent or cleaner.
11. **NEVER** operate the pressure washer in bare feet, sandals, or open-toed shoes.
12. When using the pressure washer near children, make sure they are closely supervised by an adult to avoid injury. **NEVER** let a child use the pressure washer.
13. Keep fingers, hands, feet and any part of your body clear of the stream of high pressure water. The powerful spray can cause blindness or blast holes in the skin. It can break a window if you are too close when you pull the trigger on the spray gun.
14. **ALWAYS** wear eye protection to prevent injury to eyes when operating the pressure washer.
15. To avoid mishaps or injury, **ALWAYS** use the trigger safety lock when not using the pressure washer even if the spraying stops for a moment.
16. Point the spray gun in a safe direction when beginning a pressure washing session.
17. **NEVER** spray directly at a person, animal, electrical device or the unit itself.
18. When first using the spray gun, hold the spray gun and lance with two hands when pulling the trigger (one hand to pull the trigger and the other to stabilize the gun assembly) until you get used to the “kickback” from the spray gun.
19. When you press the power switch to turn off the pressure washer, water pressure may remain in the system. To discharge the pressure, point the spray gun in a safe direction and pull the trigger.
20. **NEVER** spray flammable liquids.
21. **NEVER** use the pressure washer in areas that contain combustible dust, liquids or vapors.
22. Avoid contact of the pressure hose with sharp objects and examine the hose regularly. Replace if damaged. Due to the high pressure involved, it cannot be repaired if cut or damaged.
23. Only use detergent specifically formulated for pressure washers and follow instructions on the detergent’s label.
24. Protect eyes, lungs, and skin from exposure to detergent. Dish or laundry soap is too thick and will clog the nozzle of your detergent bottle.

## SAFETY INFORMATION

**IMPORTANT:** Store the pressure washer indoors to prevent the water in the unit from expanding under freezing conditions. When the water freezes and expands, your pressure washer will be damaged and become inoperable. Or, if storing outdoors, it is recommended you use pump saver (not included) to protect pumps.

25. **NEVER** use hot water with your pressure washer. It will overheat and damage the high pressure pump.
26. **NEVER** leave the pressure washer unattended while it is powered "ON".
27. **ALWAYS** turn the water supply "ON" before turning the pressure washer power to "ON". Running the pump dry will cause damage to the internal components.
28. **NEVER** use a water supply to your pressure washer that exceeds 150 PSI maximum.
29. **NEVER** disconnect the high pressure hose from the pressure washer while the system is pressurized.
30. **NEVER** permanently engage the trigger mechanisms on the spray gun.
32. **NEVER** operate the pressure washer unless all components are properly and securely connected.
33. **NEVER** allow the pressure washer pump to run for more than one minute after you have turned off the water supply. This can cause the motor and pump to overheat and fail.
34. **NEVER** use lances or other parts that are not compatible for this specific SP Jetwash unit.
35. **NEVER** spray any electrical outlet with your pressure washer.
36. Inspect the power cord before using. **DO NOT** use it if it is damaged.

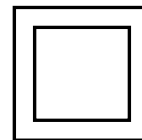
## KEEP THESE INSTRUCTIONS FOR FUTURE REFERENCE.

### Servicing of a Double-Insulated Appliance

In a double-insulated product, two systems of insulation are provided instead of grounding. Grounding means are not provided for a double insulated product, nor should grounding means be added to the product. Servicing a double-insulated product requires extreme care and knowledge of the system, and should only be done by qualified service personnel.

Replacement parts for a double-insulated products must be identical to the original parts.

"Double Insulated" products are marked with symbol shown here.



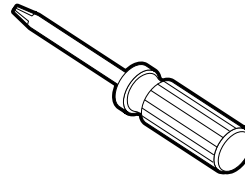
**Double Insulated symbol**

## PREPARATION

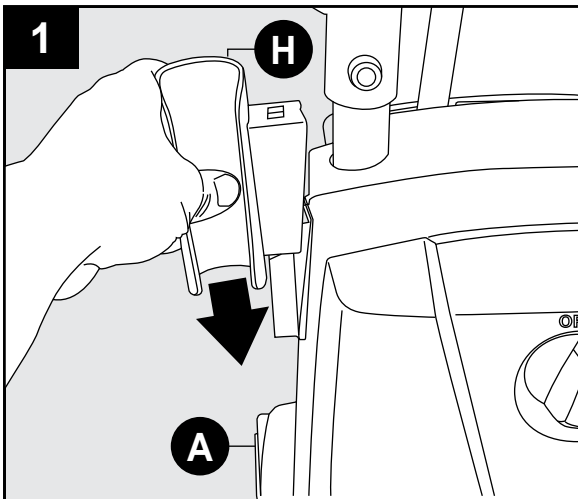
Before beginning assembly of product, make sure all parts are present. Compare parts with package contents list and hardware contents list. If any part is missing or damaged, **DO NOT** attempt to assemble the product.

Estimated Assembly Time: 5 minutes

Tools Required for Assembly (not included): Phillips screwdriver.



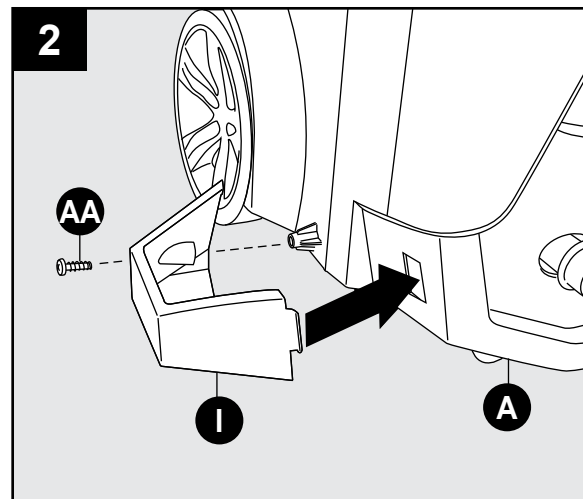
## ASSEMBLY INSTRUCTIONS



### Power Unit Assembly

Slide the spray gun holster (H) onto left side, when facing the pressure washer unit (A).

**Note:** When placing the gun with the lance attached, the nozzle will rest in this tray.

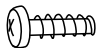


Slip tab into slot and screw the nozzle tray (I) on bottom left, when facing the pressure washer unit (A). Secure with screw (AA).

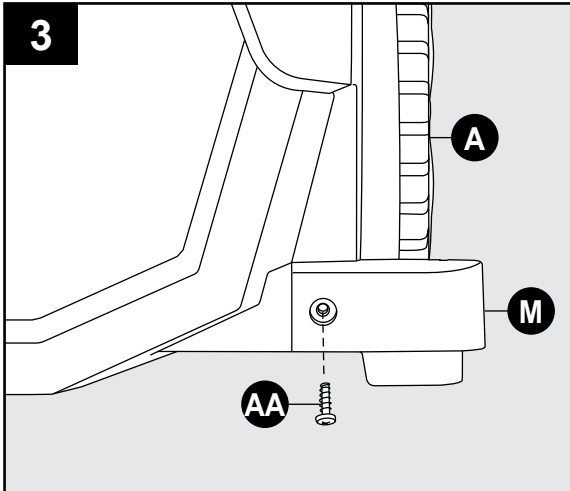
**Note:** **DO NOT** use a power screwdriver. When all free play has been taken up, give a small final clockwise twist of the screwdriver.

**DO NOT** overtighten.

### Hardware Used:

**AA** Screw  x 1

## ASSEMBLY INSTRUCTIONS

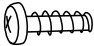


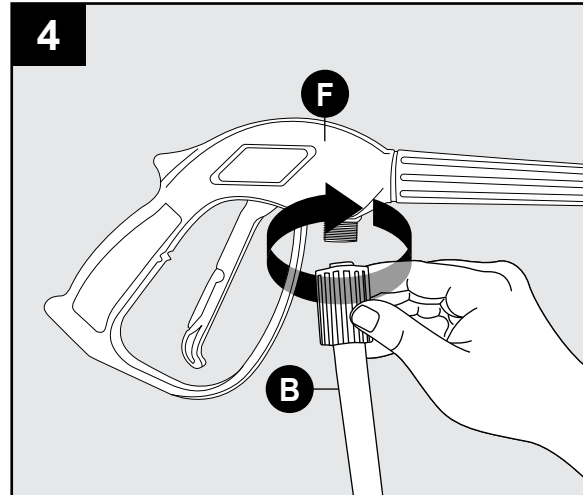
Slip tab of stabiliser foot (M) into slot on bottom right of the pressure washer. Secure stabiliser foot (M) to pressure washer (A) using screw provided (AA)

**Note: DO NOT** use a power screwdriver. When all free play has been taken up, give a small final clockwise twist of the screwdriver.

**DO NOT** overtighten.

### Hardware Used:

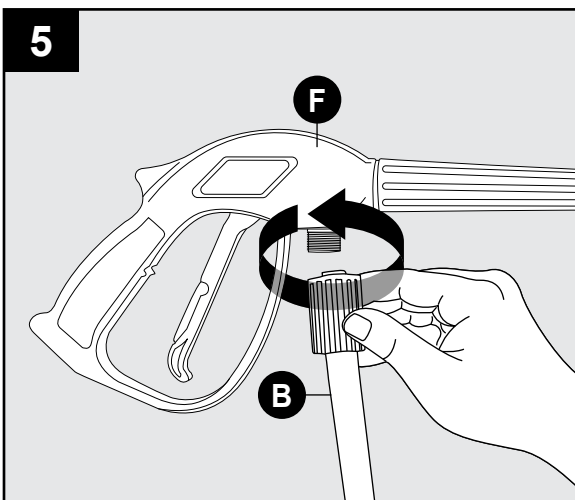
**AA** Screw  x 1



### High Pressure Hose Assembly

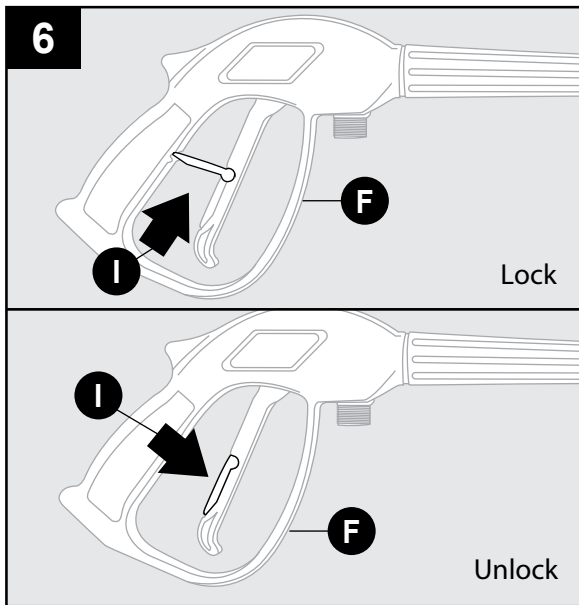
Connect the other end of high pressure hose (B) to spray gun (F) by screwing collar over gun inlet. Hand tighten (turning clockwise) until tight. Hose is now securely attached to the spray gun.

**Note:** High pressure hose (B) is fitted to the hose reel and ready to use. It only needs to be attached to the spray gun (F).



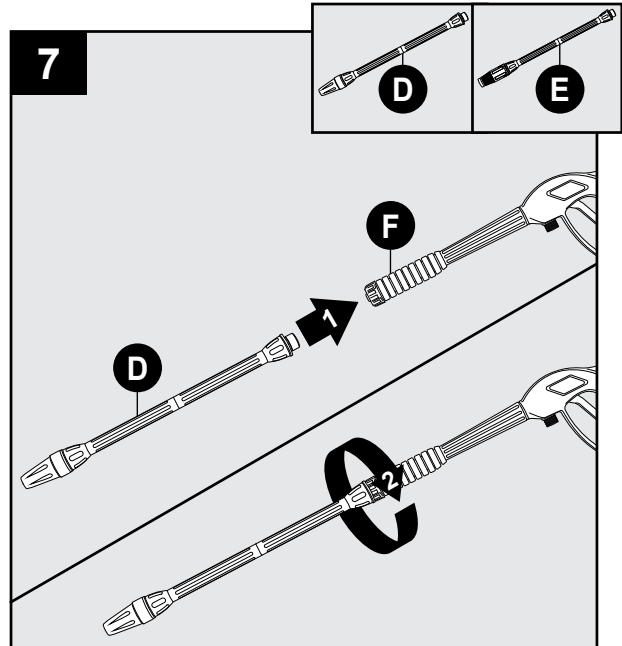
To release the hose (B) from spray gun (F), turn black collar counterclockwise. Remove gun.

## ASSEMBLY INSTRUCTIONS



### Locking Spray Gun (before lance installation)

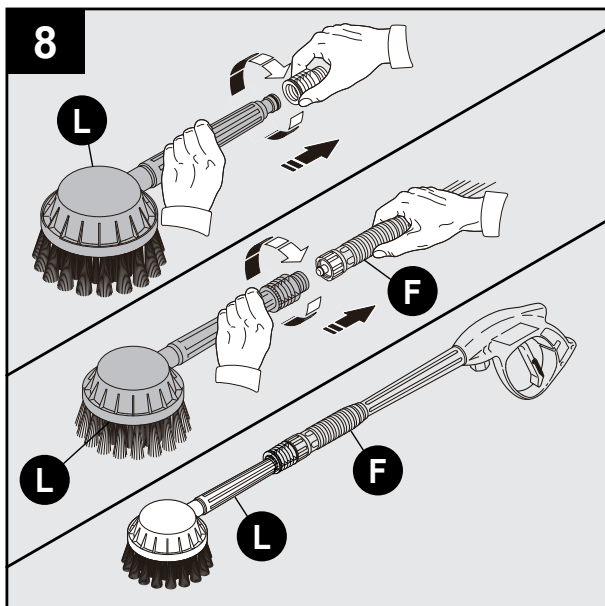
To lock the trigger of the spray gun, (I), aim the gun away from you and push the lock button from right to left. After doing so, squeeze or pull the trigger to make sure it is locked and will not move. Always leave lock button in locked position when not in use. This ensures the gun is in “safe” mode until it is ready for use.



### Variable Spray Nozzle Lance and Turbo Nozzle Lance Installation

While the spray gun (F) is in the locked position, insert the variable spray nozzle lance (E) or turbo nozzle lance (D) into the end of the spray gun, by inserting and turning clockwise until fully in place. To remove turn counterclockwise.

**Note:** Turbo nozzle is not adjustable.



### Rotary Brush Installation

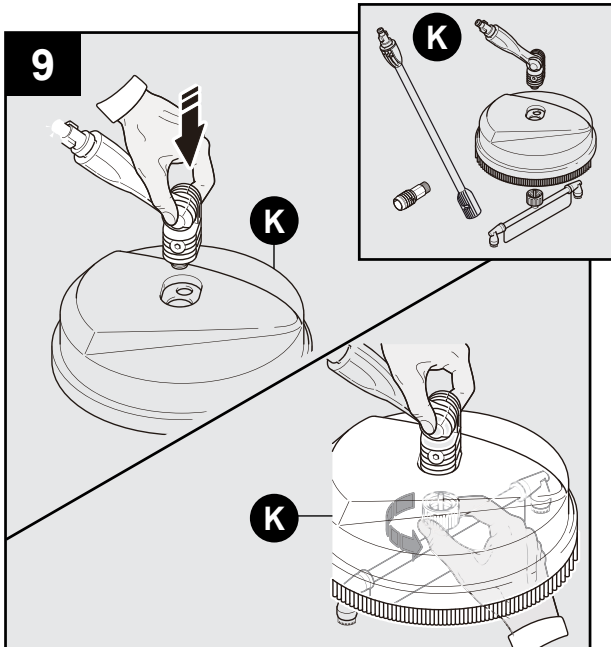
The rotary brush is specially designed to clean rims and vehicle wheels.

Screw the adapter for the spray gun onto the rotary brush (L). Then screw to the spray gun (F) by pushing together and turning clockwise.

To remove, turn counterclockwise.



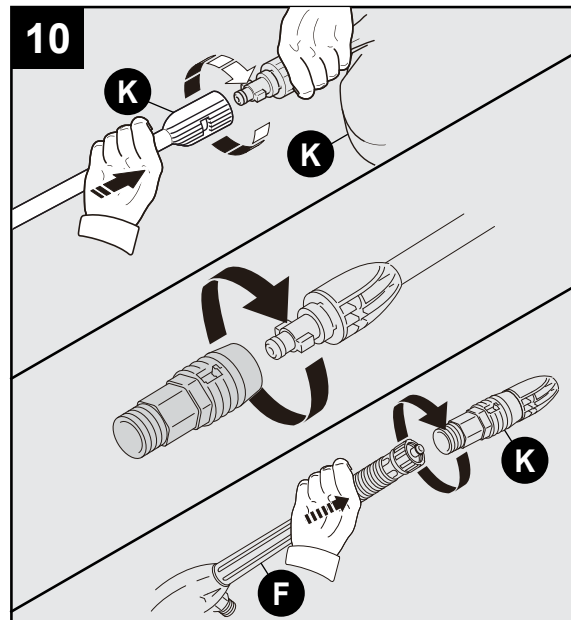
## ASSEMBLY INSTRUCTIONS



### Patio Cleaner Installation

The patio cleaner (K) is specially designed for cleaning large flat surfaces.

Attach the adaptor to the patio cleaner (K) housing.  
Fix the rotary shaft to the adaptor by turning clockwise.



Attach the extension lance to the angle connector and then attach the extension lance to the brass adaptor and then attach the spray gun (F) to the brass adaptor .

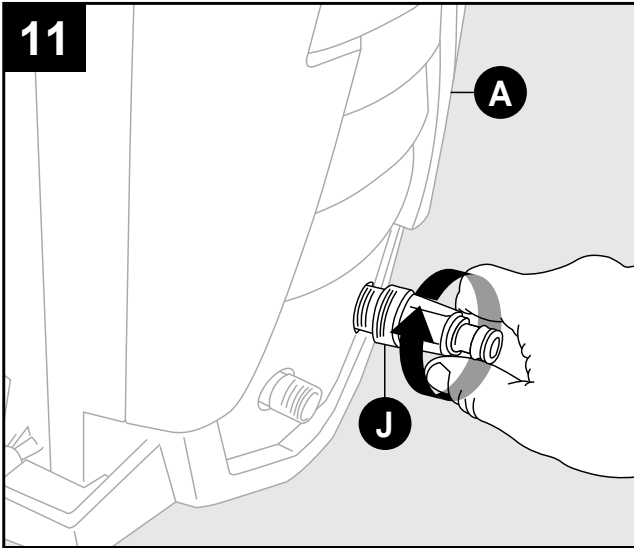
Check if the patio is attached properly by pulling on it. It should not pull out.



### WARNING!

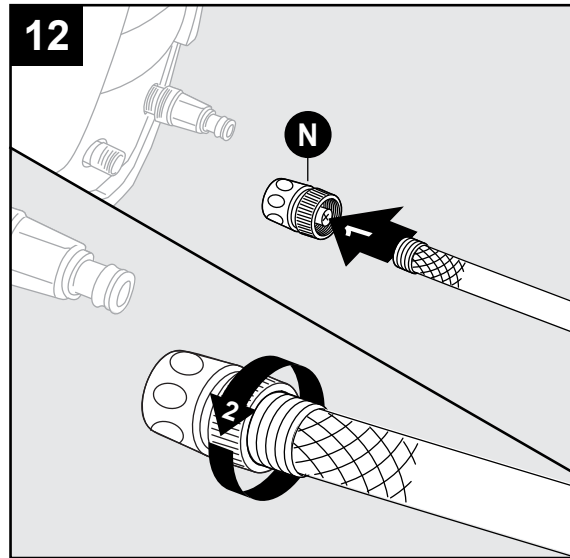
The patio cleaner is only intended to be used on flat patio surfaces! Do not attempt to use it on steps or use it vertically on walls. Never attempt to touch the rotating nozzle while operating.

## ASSEMBLY INSTRUCTIONS



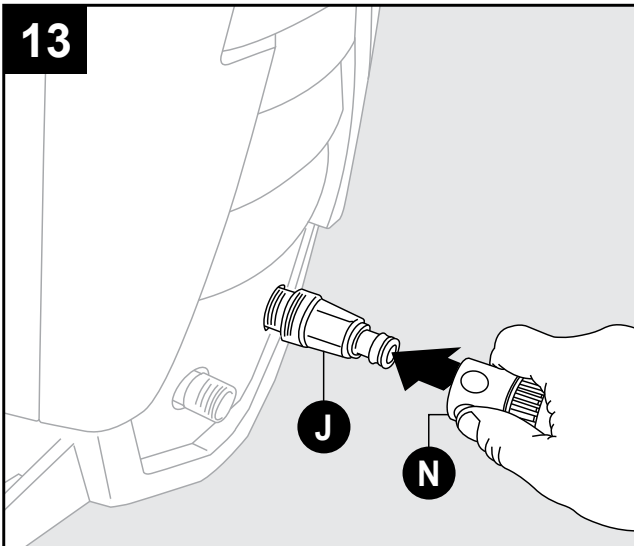
### Garden Hose Adapter Installation

Remove plastic shipping cover on water inlet, front right side when facing the unit (A). Install the transparent water filter (J) by hand tightening clockwise.



You will need a quick connect hose adapter (not supplied) fitted to the end of your garden hose (N).

**Note:** Flush out garden hose before connecting to QC garden hose adapter.

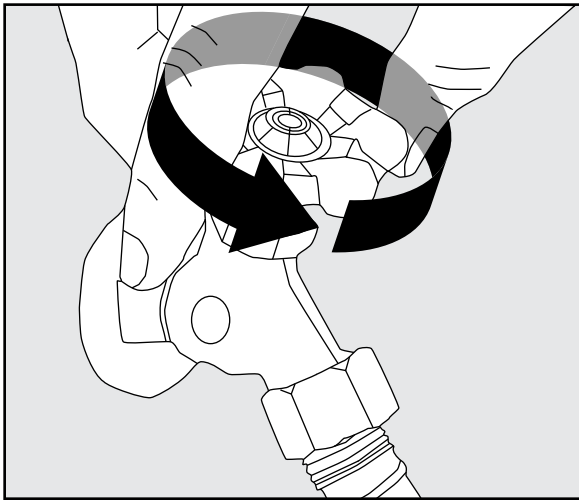


Push the QC garden hose adapter (N) onto the transparent water filter (J). It will “click” into place. Do not pull the sleeve back while pushing QC garden hose adapter (N) onto the transparent water filter (J). The water is now connected to your pressure washer.

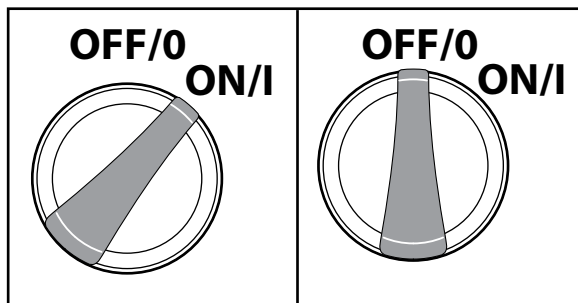
**Note:** To remove water hose, pull back on the collar and it will slide off the clear quick connect. This can be done at any time

You have now completed the assembly and are ready to begin using your electric pressure washer. Read and observe all safety instructions.

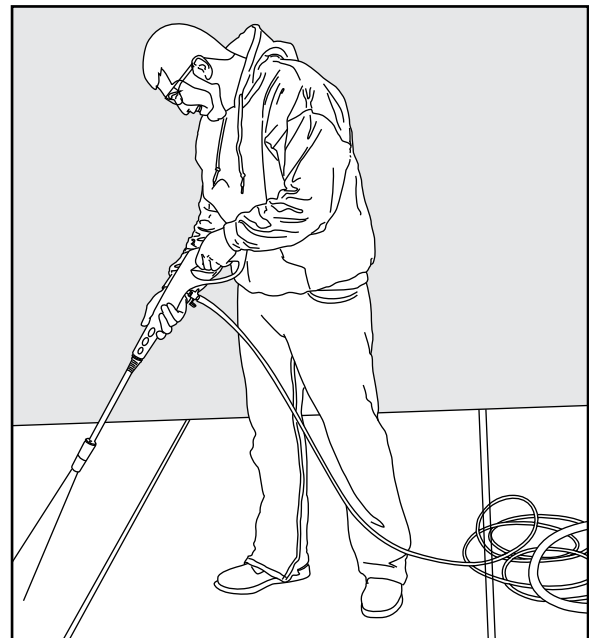
## OPERATING INSTRUCTIONS



- Turn the tap on fully to ensure good water supply.
- Make sure the “ON/OFF” switch is in the “OFF” position. The power switch has international symbols for ‘on’ and ‘off’: On (I) Off (O).
- Unwind the power cord completely and plug it into a 240 volt outlet.
- Release safety push trigger lock up and back into trigger. While pointing the spray gun in a safe direction, squeeze the trigger on the spray gun until there is a steady stream of water, letting the water and air out of the hose. Push trigger lock back down to lock back into place.

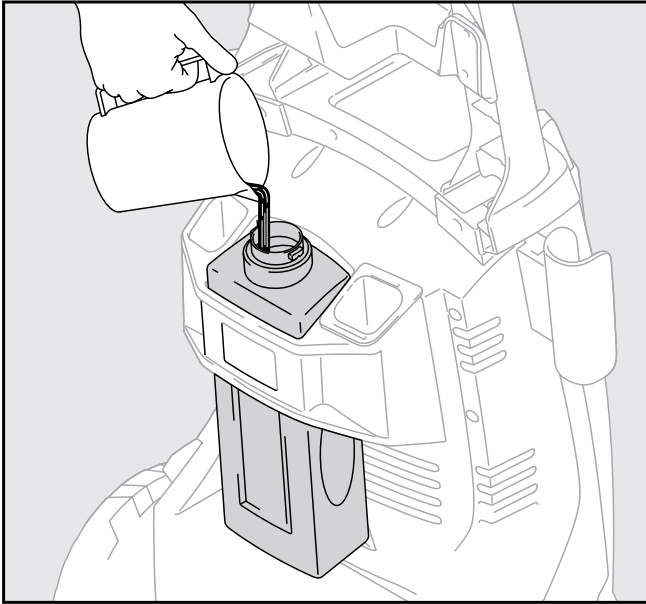


- Turn the power switch to the “ON” (I) position. The unit will turn on for 1 - 2 seconds and shut off. This is a normal function of the auto start feature. Squeeze the spray gun trigger to begin pressure washing.
- Begin pressure washing by squeezing the trigger on the spray gun all the way into the handle.
- Release the spray gun trigger to stop the pressure washer.
- Allow the motor to come to a complete stop before squeezing the trigger again.
- Squeezing rapidly will cause the auto start feature to miss an on/off cycle that may prevent it from turning on while squeezing trigger after rapid squeezing. Use slow deliberate trigger pulls to avoid such symptoms.

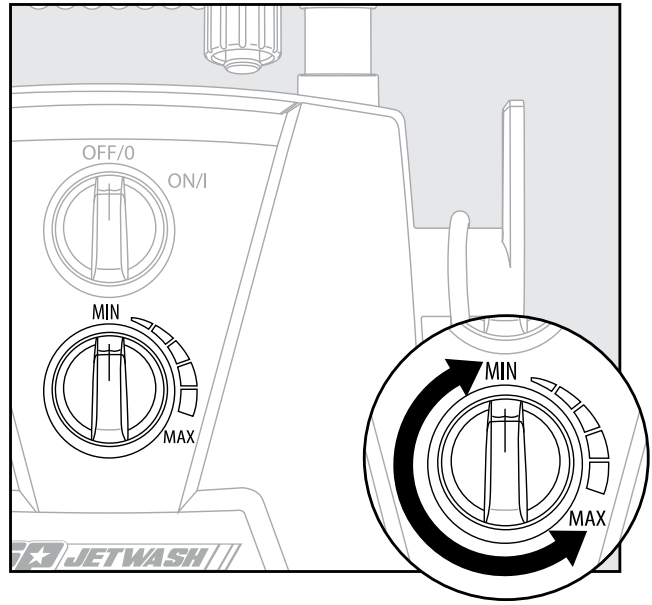


- **Always test** a small area to avoid chance of damaging the surface.

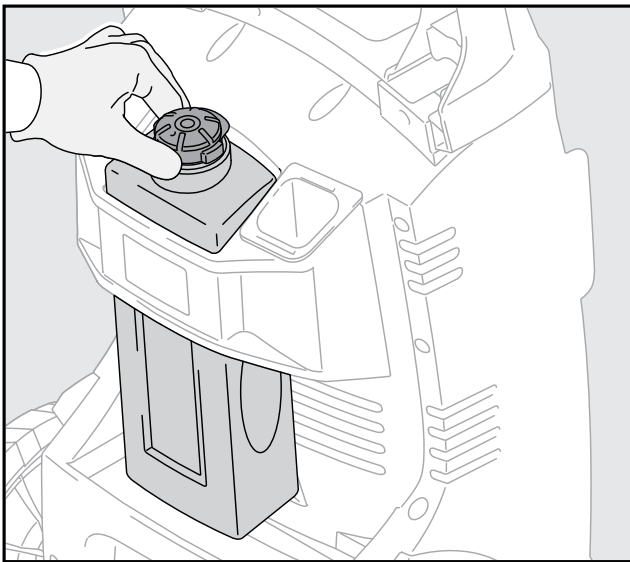
## OPERATING INSTRUCTIONS



- When using the detergent, fill it with a properly formulated detergent or cleaner with water ratio according to instructions on the container.
- **DO NOT** use thick gel-like detergents, as they will clog the power washer and can cause damage.
- Detergent can only be applied with the adjustable nozzle in low pressure mode

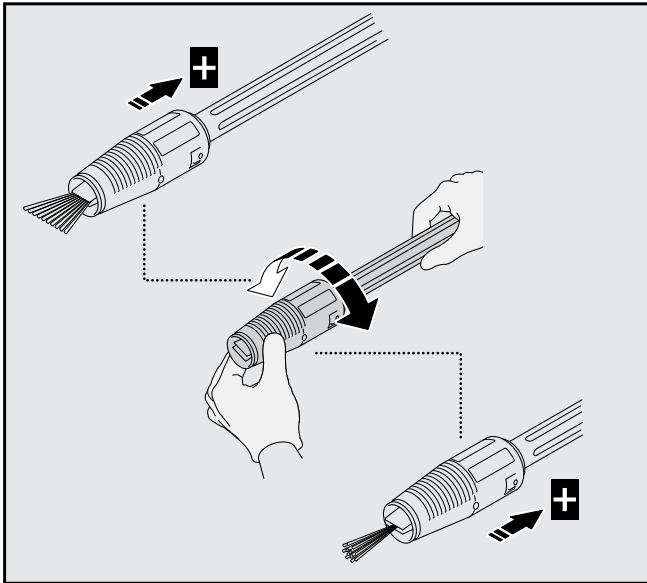


The pressure washer will pull a ratio of water to detergent of 10:1 or 10 parts water to 1 part detergent. The detergent concentration can be adjusted by turning the detergent knob on the front of the machine. Turn it right for more concentration or turn it left for a diluted, less concentrated mix.

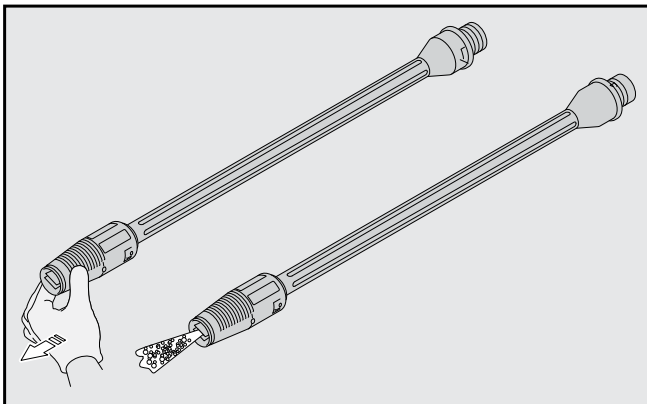


- When removing the detergent tank, remove lid and place fingers on both sides of the bottle and squeeze to get past the knobs on each side and pull out. Press down firmly when putting it back in place

## OPERATING INSTRUCTIONS



- The pressure washer will draw detergent when the adjustable nozzle head is moved forward to low pressure mode.

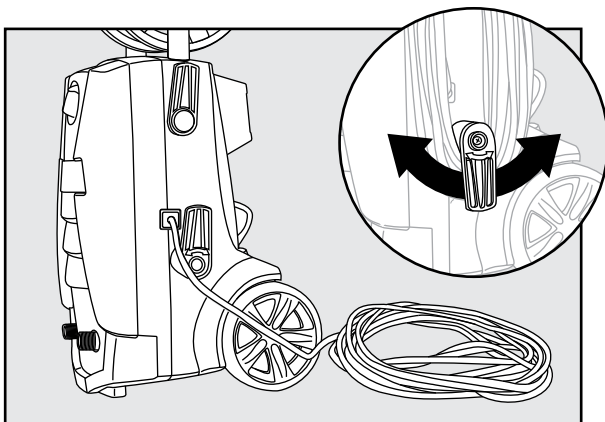


### Operation Tips

- If you hear the motor run intermittently when the trigger is not being squeezed, that is normal. The pump is priming itself so it is ready to operate when the trigger is squeezed. Turn off the pressure washer if not being used after five minutes.
- The o-rings on the bayonet end of the nozzle lance should be cleaned regularly and lubricated with non-water soluble grease such as petroleum jelly.
- Keep the nozzle cleaning wire for use in unclogging the nozzle. If you lose the cleaning wire, a straightened paper clip also works.

### How to Avoid Damaging Surfaces

- Damage to surfaces being cleaned occurs because the impact force of the water pressure exceeds the durability of the surface. Bare wood can be penetrated; paint can be peeled off, etc. You can vary the force of your pressure washer by controlling:
  1. The angle of the surface being cleaned
  2. The distance of the nozzle from the surface being cleaned
- **NEVER** use a narrow high pressure stream of water on soft surfaces susceptible to damage.
- Use the high/low nozzle lance when cleaning windows. Be sure to adjust the nozzle to low spray and place the nozzle approximately four to five feet away from the window with the nozzle at forty five degree angle. Squeeze the trigger and vary the spray pattern and angle until optimum cleaning efficiency is achieved.



### Using Power Cord

- Easily remove the power cord from side of unit by swiveling the bottom blue cord hook to the right or left until it faces up. The power cord then can be easily slid off of the side of the power washer unit.
- Swivel blue, cord hook back down when ready to wrap the cord back into place for storage.

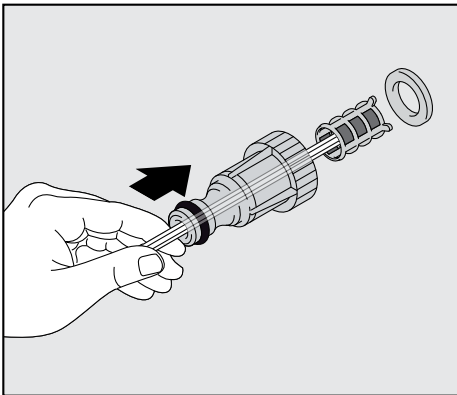
## CARE AND MAINTENANCE

### Detergents

- Use detergents designed for pressure washers.
- This system applies detergent under low pressure. The cleaning power of the detergents is enhanced when applied with low pressure and enough time is given to break down dirt and grime. The combination of low pressure and chemical action is very effective and can be better than scrubbing if applied properly. **ALWAYS** spray detergent on a dry surface. **DO NOT** pre-soak area. Wetting the surface first dilutes the detergent and reduces its cleaning ability. **DO NOT** allow detergent to dry on surface. On vertical surfaces being cleaned, apply detergent to lower surfaces and work your way up to prevent detergent from causing streaks in the dirt and grime. Rinse detergent by pressure washing from bottom up for same reason.
- If a stain is particularly tough, it may be necessary to reapply the detergent and use a bristled brush to scrub the stain. Subsequent pressure washing after brushing should successfully complete your cleaning job.

### Cleaning the Transparent Water Filter

- The screens inside the transparent water filter should be cleaned periodically. Rinse it with clean water, and then place it back in the adapter.

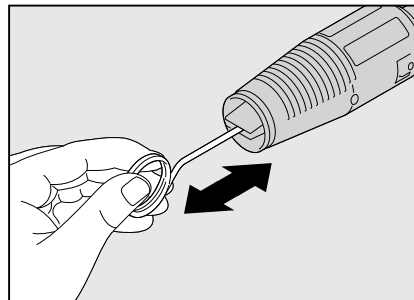
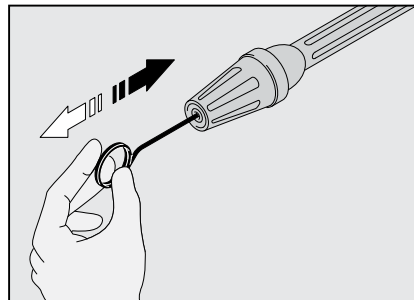


### Storage

- When your pressure washing session has been completed, turn off the power switch located on the front of the pressure washer. Unplug the power cord from the outlet. Turn off the water supply. Pull the trigger on the spray gun 2-3 times to drain out the excess water and to release any remaining water pressure. Disconnect the garden hose adapter from the water inlet. **DO NOT** allow the pressure washer to run with no water flowing through it.
- Remove detergent bottle and clean completely. Residual chemical will dry out in the container and can cause the detergent injector to clog and prevent function.

### Cleaning Nozzles

- A clogged or partially clogged nozzle can cause significant reduction of water pressure coming out of the nozzle and/or cause the unit to pulsate while spraying.
- Turn off the unit.
- Turn off the water supply to the unit.
- Relieve any pressure trapped in the hose by squeezing the trigger 2-3 times, and then lock the spray gun by pushing the lock button from left to right.
- Remove the lance from the spray gun
- Using the nozzle tip cleaner provided (or an unfolded paper clip), insert the wire into the nozzle hole and move back and forth until debris is dislodged.
- Tap quick connect end of lance on hard surface several times
- Back flush water through the nozzles using garden hose and highest pressure available (either standard water nozzle or use your thumb over the nozzle to create water pressure for back flush).



- Remove high pressure hose from spray gun.
- Remove lance from the gun. Place the gun in the holder on the side. Lances are placed into any of the slots in the back of the unit. Make sure to discard any remaining detergent from the bottle. Flush the bottle and nozzle head with fresh water to prevent clogging.
- Hook the power cord around the cord hook on the right side of the machine when facing it.

## TROUBLESHOOTING

PROBLEM	CORRECTIVE ACTION
Unit will not turn on.	<ol style="list-style-type: none"> <li>1. Check the power cord is plugged directly into an outlet.</li> <li>2. Do not use an extension cord.</li> <li>3. Make sure the power switch is turned on.</li> </ol> <p><b>Note:</b> When pressure switch is turned on, the pressure washer will turn on by itself for 1-2 seconds and shut off. This is normal.</p>
The high pressure (HP) hose will not connect/stay connected to the spray gun. Is this a spray gun problem?	<ol style="list-style-type: none"> <li>1. In most cases, the spray gun is not the problem. The problem is the rubber sleeve covering the fitting at the end of the high pressure hose. It has likely slipped up toward the metal tip. To fix: wiggle, twist and/or pull the rubber sleeve down until the entire tip is visible plus an 1/8 in. of the metal fitting below the tip. Now try to insert the hose tip into the spray gun. It should “click” into place and will not come out until the hose is released by pushing in the lever on the underside of the gun. You may cut away the end of the sleeve with a sharp knife if unable to move the sleeve down. Be careful not to cut or puncture the hose.</li> <li>2. Do not push in the release button when connecting the high pressure hose.</li> </ol>
The unit is running but there is no water flow.	<ol style="list-style-type: none"> <li>1. Check the water source. Unclog the nozzle on the lance. (See nozzle cleaning instructions under “Cleaning nozzles”.) Or take off the lance and just spray out of the spray gun. This will indicate if the problem is with the lance.</li> <li>2. Reconnect the QC Garden Hose Adapter to the clear quick connect.</li> </ol>
Why is water leaking where the high pressure hose connects to the spray gun?	<ol style="list-style-type: none"> <li>1. Make sure there is an o-ring at the end of the metal tip of the high pressure hose. If no o-ring is present, the connection between the hose and spray gun will leak.</li> </ol>
I can't remove the lance from the spray gun. What should I do?	<ol style="list-style-type: none"> <li>1. All lances and the detergent bottles are attached and removed from the extension lance in the same manner. Insert the quick-release end of the lance/detergent bottle into the extension lance. Press the extension lance and lance together (about a 1/8”) and turn clockwise. The lance will lock in place. Remove the lance by reversing this procedure. Press the extension lance and lance together and turn counter clockwise. The lance will slide out.</li> <li>2. Or, hold the extension lance and lance in an upright position with the nozzle end on the floor. Push the whole assembly straight down to loosen the connection, and then follow the removal process again. You may also spray soapy water or a lubricant in the area where the lance connects to the extension lance.</li> </ol>
The pressure washer turns on for 2 seconds, shuts off, and will not turn back on. Do I have a defective unit?	<ol style="list-style-type: none"> <li>1. It sounds like your pressure washer is working just fine. When the water is connected, the accessories are assembled properly, and the power switch is turned on, the pressure washer may turn on for 1 - 2 seconds to prime the pump. It automatically shuts off and waits for the spray gun trigger to be pressed. When the trigger is pressed, water starts flowing through the pump. The water sensor in the pump “senses” the moving water and automatically turns the pressure washer on.</li> <li>2. Turn the power switch to off, hold in the trigger on the spray gun, so that you have a steady stream of water. While you are holding the trigger open on the spray gun, at the same time, turn the power switch on.</li> </ol>

## LIMITED WARRANTY

This Limited Warranty applies only to new products\* distributed by Austech Industries Pty Ltd (“Austech Industries”). It is a condition of this Limited Warranty Policy that the purchaser read the owner’s manual for the product and only use the product to the extent or for the purposes stated therein. The purchaser must also ensure that all servicing requirements are completed as listed in the owner’s manual (said servicing is at the owner’s expense). We recommend that all servicing is completed by an authorised service agent and that records of said servicing are retained by the purchaser as proof in the event of a warranty claim.

Whilst the owner’s manual, packaging, and/or other documentation supplied with Austech Industries’ products may provide details in respect of a Limited Warranty, the terms set out herein supersede these matters, and this Limited Warranty applies in their place. This warranty is no less advantageous than otherwise described in such other documentation.

Austech Industries agrees, subject to the terms and conditions specified below, to repair or replace at Austech Industries’ cost, the product purchased by you when the product does not perform in accordance with its specifications during the limited warranty period, due to any fault in manufacturing, materials and/or workmanship. Austech Industries is not liable to repair or replace products that the purchaser uses in a manner that is inconsistent with the owner’s manual or in the circumstances set out in paragraphs 1.1 – 1.7 below.

The benefits to the purchaser under this warranty are in addition to other rights and remedies under the Competition and Consumer Act 2010 (Cth).

The limited warranty period, within which a defect in the product must appear, commences from the date of purchase and ceases on expiration of the specified term below.

### The Limited Warranty Period

- Motor and pump assembly - 24 months
- All Accessories: including the spray gun, lance, high pressure hose, wheels etc. - 12 months

### The purchaser’s attention is drawn to the following

- To the extent permitted by law and subject to this Limited Warranty, and as part of the terms of the sale of the equipment or part thereof: Austech Industries shall not be liable for any form of loss, damage, cost, injury or harm of any kind (whether direct, indirect, special or consequential) howsoever arising from the use or supply of the equipment to the purchaser.

### Exclusions to Limited Warranty Policy

This Limited Warranty will not apply where the equipment or any part thereof:

- 1.1 Fails due to an accident (including liquid spillage), abuse, misuse, neglect or normal wear and tear;
- 1.2 Has been used in a manner other than for which it was originally designed;
- 1.3 Has been tampered with or is otherwise than as supplied by Austech Industries;
- 1.4 Where any damage, malfunction or other failure of the equipment or any part thereof resulted directly or indirectly from unauthorized persons, adjusting or failing to adjust any part requiring normal maintenance and service (examples include adjustment of tappets, air filter maintenance, lubrication and tightening of screws nuts and bolts);
- 1.5 Malfunctions due to the use of defective or incompatible accessories;
- 1.6 Is damaged by lightning or thunderstorm activity; or
- 1.7 Has been transported to a country where no authorised Service Agents exist.

### Claiming warranty

This Limited Warranty may be claimed on in the following manner:

- 2.1 In order to make a claim under this Limited Warranty, the purchaser must deliver the equipment or any part thereof to an Austech Industries authorised repair agent and pay all costs of transportation and all costs incidental to making a claim under this Limited Warranty. The purchaser must first contact Austech Industries (contact details described above) and request the delivery address of an Austech Industries authorised repair agent.
- 2.2 The purchaser must deliver to the repair agent written reasons why the purchaser considers that the purchaser has a claim under this Limited Warranty and must provide all necessary details, including:
  - The place, date and from whom the unit or part was purchased.
  - The unit or part involved, Model and Serial Number.
  - The defect, malfunction or failure in respect of which the claim is being made.
  - Proof of service of the unit or part (if applicable)
  - Proof of purchase in respect of the unit or part.
- 2.3 If the Limited Warranty claim is valid, the repair agent will carry out repairs and return the product at no charge to the purchaser. These repairs are limited to the Limited Warranty fault identified and as such will not include any other faults due to misuse, abuse, failure to maintain, fair wear and tear or the replacement of serviceable items such as oil, spark plugs, air filters, fuel etc.

Our goods come with guarantees that cannot be excluded under the Australian Consumer Law. You are entitled to a replacement or refund for a major failure and for compensation for any other reasonably foreseeable loss or damage. You are also entitled to have the goods repaired or replaced if the goods fail to be of acceptable quality and the failure does not amount to a major failure.

\* AR & SP are brand names of products distributed by Austech Industries  
Note # Units which are failing to perform in accordance with specifications due to non-warrantable causes will be subject to freight, repair and or quote charges.